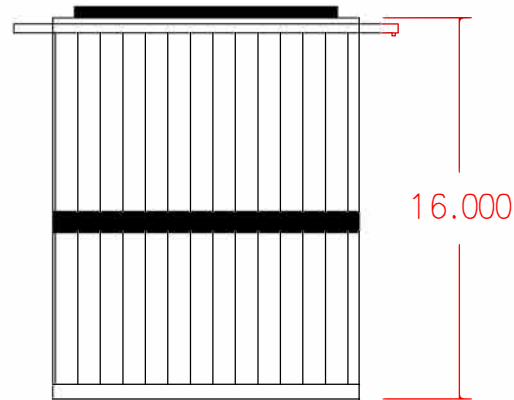
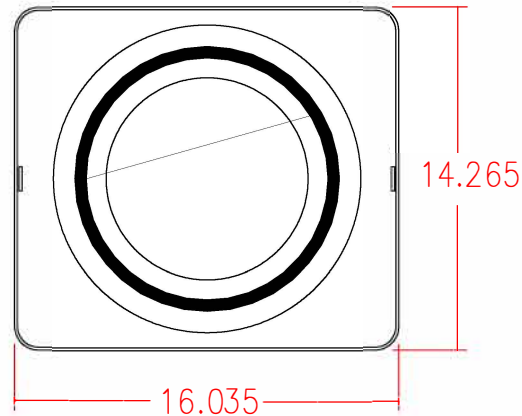
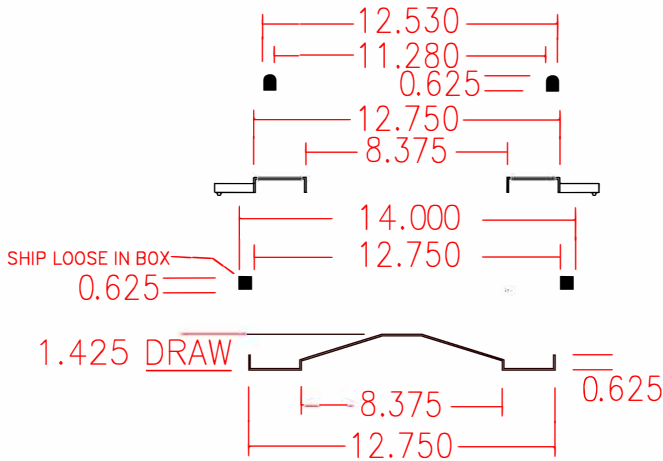




Air Cleaning Specialists, Inc.

# ACSF-328-FL



## CONSTRUCTION:

ELECTROPLATED GALVANIZED CLOSED END CAP  
 ELECTROPLATED GALVANIZED OPEN END CAP WITH SQUARE FLANGE  
 G-90 GALVANIZED EXPANDED METAL INNER CORE  
 G-90 GALVANIZED EXPANDED METAL OUTER RETAINER  
 125 SQUARE FEET FIRE RETARDANT NANOFIBER MEDIA  
 ONE PIECE MOLDED ISOPRENE SEALING GASKET APPLIED TO ONE OPEN END CAP  
 PVC SEALANT APPLIED TO BOTH ENDS  
 PACKAGED ONE PER CARTON  
 WEIGHT: 8 POUNDS

## EFFICIENCY: (INITIAL 52.2-2007)

INITIAL RESISTANCE: 0.74 INCHES W.G.  
 FINAL RESISTANCE: 4.00 INCHES W.G.  
 E1 (%) COMPOSITE MINIMUM AVERAGE EFFICIENCY 0.30 - 1.00 MICRON: > 95%  
 E2 (%) COMPOSITE MINIMUM AVERAGE EFFICIENCY 1.0 - 3.0 MICRON: > 99%  
 E3 (%) COMPOSITE MINIMUM AVERAGE EFFICIENCY 3.0 - 10.0 MICRON: > 100%  
 MINIMUM EFFICIENCY REPORTING VALUE: MERV 15 @ 1000 CFM

## MINIMUM EFFICIENCY REPORTING VALUE: ( PER ASHRAE 52.2-2012)

MERV 15

## MEDIA:

ULTRA-LIFE MEDIA IS A DUAL LAYER COMPOSITION DESIGNED TO OFFER HIGH INITIAL EFFICIENCY. THE SURFACE LOADING CHARACTERISTICS ALLOW EXCELLENT RELEASE CAPACITY TO PROMOTE LONG LIFE NECESSARY IN PULSE COLLECTOR APPLICATIONS. ANTIMONY TRIOXIDE IS USED AS THE FLAME RETARDANT AGENT.